

GEARTOOTH SPEED SENSOR

GS1012 Series



Flange mount gear sensor rated to 125°C.

Features

- Senses motion of ferrous geartooth targets
- Near zero speed sensing capability
- Immune to rotational alignment
- 10 bit dynamic threshold detection offers:
 - Automatically adjusting magnetic range
 - Self compensating to target geometry
 - Immune to target run out
- Compatible with unregulated power supply
- Reverse battery protected to -24VDC
- Internal circuit protection to IEC529 1000
 - EMI resistant to 10V/m, 30MHz to 1GHz
 - ESD resistant to 4kV (contact discharge)
 - Fast transient resistant to 2kV
- Conducted immunity resistant to 10VRMS@150kHz to 80MHz
- EMC compatible 30A/m@50Hz
- Meets IEC529 IP67 for dust and water protection
- Integral Connector: 3-pin Delphi Metri Pack 150.2 Series No. 12162833 mates with Delphi 12162280 and 12162279
- Discrete wire version: 22 AWG, tin plated, polyolefin insulation
- 150°C version also available. Consult factory

Applications

- Wheel speed
- Transmission speed
- Anti-lock braking systems

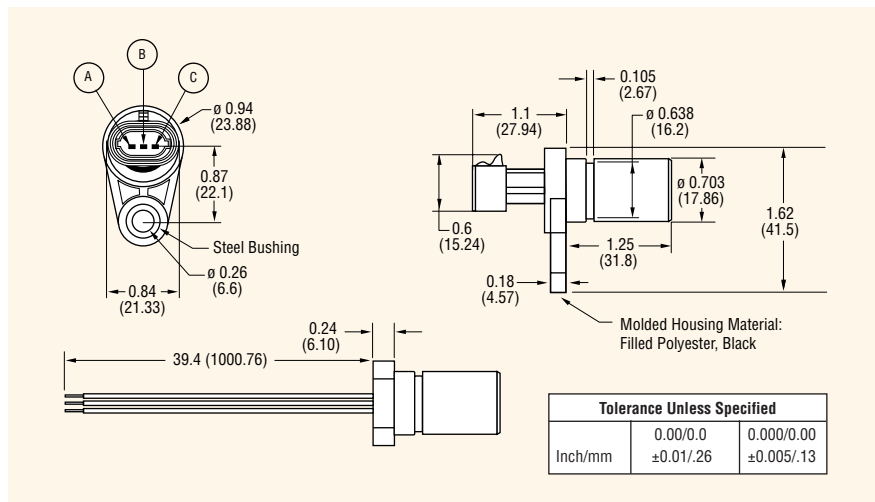
Specifications

| Part Number | Operating Voltage Range (VDC) | Supply Current (mA max.) | Output | Output Saturation Voltage (mV max.) | Output Current (mA max.) | Operating Temp Range (°C) | Storage Temp Range (°C) | Leads | Connector |
|-------------|-------------------------------|--------------------------|--------|-------------------------------------|--------------------------|---------------------------|-------------------------|-----------------|-----------|
| GS101201 | 5.0 – 24 | 6 | sink | 400 | 25 | -40 to 125 | -40 to 125 | — | Delphi* |
| GS101202 | 5.0 – 24 | 6 | sink | 400 | 25 | -40 to 125 | -40 to 125 | 22 AWG x 1m BBB | — |

*Metripak 150 Series. Mates with Delphi 12162280 and 12162279.

Notes: These sensors require the use of an external pull-up resistor, the value of which is dependent on the supply voltage. See page 18 for recommendations. Pull-up resistor should be connected between output (Black) and Vcc (Brown).

Dimensions inches (mm)



Open Collector Sinking Block Diagram

